

WHINT® Interface Documentation (Cloud)

This solution creates an automatic technical documentation of your integration artifacts by generating PDF documents describing your SAP Cloud Integration Content.

Functionality

Periodical downloads of all deployed SAP Cloud Integration artifacts into PDF documents.

- > One PDF per iFlow/OData Service with one folder per Integration Package
- > Metadata, Configuration Parameters, Descriptions, Service Endpoints
- > Message Processing Sequence Flow listing all Integration Processes with Objects, Names and Settings (based on BPMN)
- > BPMN Flow Graphic
- > Quality Checks
- > Resources (Scripts, XSD, WSDL, EDMX, XSLT)
- > Message Mapping as Excel
- > Upload to SharePoint (or other targets)

Documentation

<http://doc.whint.de/interface-documentation-sap-cpi/>

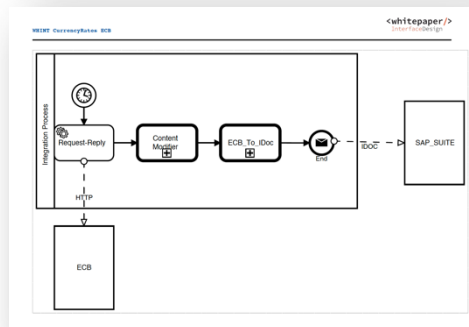
QUALITY CHECKS	
Documentation	
iFlow Description is missing	
Sender/Receiver	
Integration Process	
Security	
Consistency	
Mapping	
XSLT version is not allowed	version 1.0 (ECB_To_IDoc.xsl)
Runtime/Performance	
Transport Management	
Error Handling	
No Exception Subprocess is used	

WHINT CurrencyRates ECB	
ID	WHINT_CurrencyRates_ECB
Version	1.0.7
Type	integration flow
Sender	ECB
Receiver	SAP ECC
Package	WHINT_CurrencyRates
Deployed By	60012551180
Deployed On	20.12.22 21:13

CONFIGURATION PARAMETERS	
SAP_SUITE_proxyType_5	default
TimerEventDefinition_1_ech0 0 21 ? * * * --t:GMT0	
SAP_SUITE_address_3	https://<host>:<port>/sap/bo/art/ldoc?sap-client=<mandt>
SAP_SUITE_credentialName_6_SAPGCM	
ECB_authenticationMethod_0_Home	
ECB_proxyType_1	Internet
CURR_LIST	USD,CHF,GBP,PLN,DKK,TRY
ECB_httpAddressWithoutQuery	https://www.ecb.europa.eu/ata/eurofxref/eurofxref-daily.xml
SAP_SUITE_enableBasicAuth1	
RATE_TYPE	M
SNDPRM	ECB

SEQUENCE (BPMN)	
returnExceptionToSender	false
traceLevel	Message Body and Header
ServerTrace	true
namespaceMapping	xmlns:gesmes=http://www.gesmes.org/xml/2002-08-01
log	All events

PROCESS Integration Process (Process_1)	
startEvent: (StartEvent_4)	
TIMER: TimerEventDefinition_1	- scheduleKey: {{TimerEventDefinition_1_scheduleKey_2}}
serviceTask: Request-Reply (ServiceTask_6)	
Activity: RECEIVER: ECB (Participant_5)	
Channel: HTTP (SequenceFlow_5)	
authenticationMethod: {{ECB_authenticationMethod_0}}	
httpMethod: GET	
httpAddressWithoutQuery: {{ECB_httpAddressWithoutQuery_3}}	
MessageProtocol: None	
ComponentType: HTTP	
Name: HTTP_RECV	
MessageProtocolVersion: 1.0	
TransportProtocolVersion: 1.0	
ComponentGWCVName: com.sap.it.ide.http.ui.archive2	
proxyType: {{ECB_proxyType_1}}	
httpRequestTimeout: 60000	
ComponentGWCVId: com.sap.it.ide.http.ui.archive2	
ComponentNC: com.sap.it.ide.http.ui.namespace2	
TransportProtocol: HTTP	
callActivity: Content Modifier (CallActivity_12)	
Activity: Enricher	
property_1: Name=:RATE_TYPE;Type=:external parameter;Datatype=:;Value=: {{RATE_TYPE}};Default=:	
property_2: Name=:SNDPRM;Type=:external parameter;Datatype=:;Value=: {{SNDPRM}};Default=:	
wrapContent: \${{in.body}}	
property_2: Name=:CURR_LIST;Type=:external parameter;Datatype=:;Value=: {{CURR_LIST}};Default=:	
callActivity: ECB_To_IDoc (CallActivity_1)	
Activity: Mapping	



Interface Documentation: Message Mapping		
Source Message	Message	Target Message
EXCHANGE_RATE http://www.ecb.europa.eu/ata/eurofxref/		EXCHANGE_RATE_Label group-com-documentapp/doc/messages
Source Field	Message	Target Field
	const (value = 1)	/EXCHANGE_RATE/DOC/DOC_ID_SCKO/SEGMENT
		/EXCHANGE_RATE/DOC/DOC_ID_SCKO/TABNAM [INACTIVE]
		/EXCHANGE_RATE/DOC/DOC_ID_SCKO/DIRECT [INACTIVE]
	const (value = EXCHANGE_RATE1)	/EXCHANGE_RATE/DOC/DOC_ID_SCKO/DIRECTP
/EXCHANGE_RATE/Item/CurrencyId	ecb://sap/EXCHANGE_RATE/Item/CurrencyId	/EXCHANGE_RATE/DOC/EXCHANGE_RATE/ISBP1099_0/TO_CURRENCY
/EXCHANGE_RATE/Date	useInheritance .. IF .. TransformDate (from = yyyy-MM-dd, to = yyyy-MM-dd, format = yyyyMMd)	/EXCHANGE_RATE/DOC/EXCHANGE_RATE/ISBP1099_0/VALID_FROM
/EXCHANGE_RATE/Item/DirectQueryRate	formatNumber (format = 2,0000, separator = ,)	/EXCHANGE_RATE/DOC/EXCHANGE_RATE/ISBP1099_0/EXCH_RATE
/EXCHANGE_RATE/Item/DirectQueryRate	.. replaceString ecb://sap/EXCHANGE_RATE/Item/DirectQueryRate const (value = 1)	/EXCHANGE_RATE/DOC/EXCHANGE_RATE/ISBP1099_0/FROM_FACTOR
 const (value = 1)	